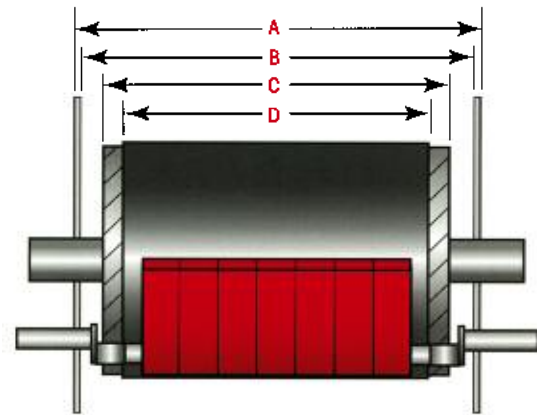
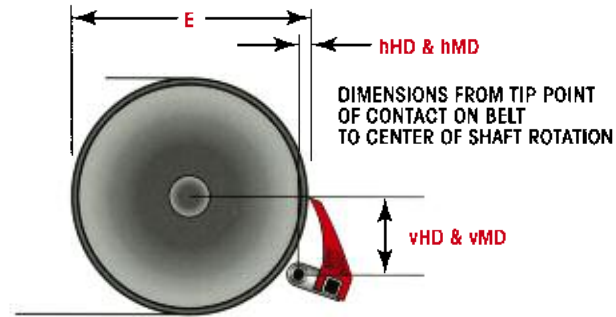


Classic Head Shed Pre-Cleaners



DIMENSIONS NEEDED WHEN ORDERING
A - CHUTE WIDTH (outside)
B - CHUTE WIDTH (inside)
C - PULLEY FACE WIDTH



E - PULLEY DIAMETER
 HD DIMENSIONS: hHD = 2-1/2" vHD = 12-1/2"
 MD DIMENSIONS: hMD = 1-3/4" vMD = 8-1/2"

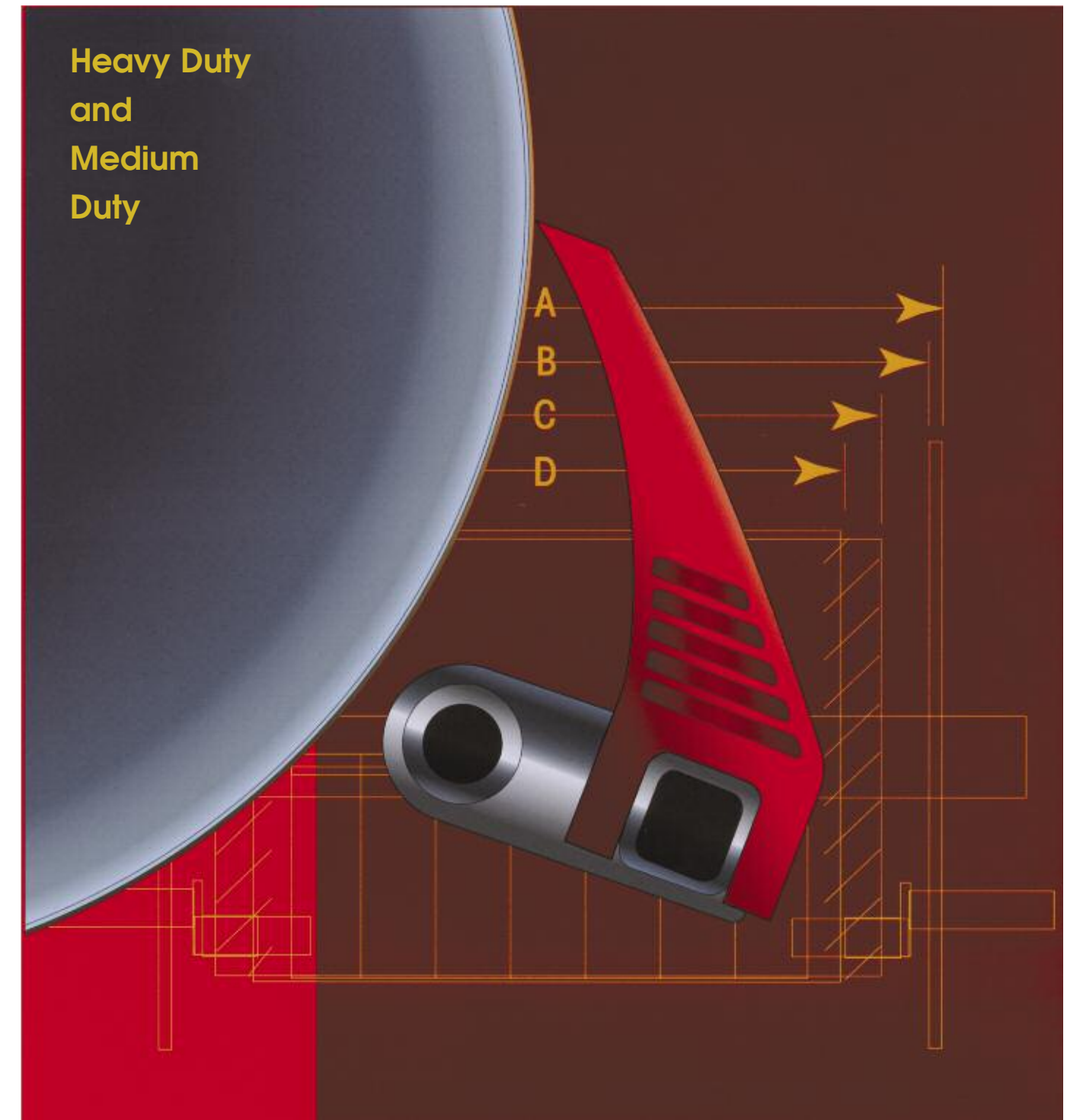
Pre-Cleaner Size (Inches)	Blade Coverage (Inches)	Overall Length HD & MD (Inches)	HD Assembly Part No.	MD Assembly Part No.
18	12	48	CSHS-HD18	CSHS-MD18
24	18	54	CSHS-HD24	CSHS-MD24
30	24	60	CSHS-HD30	CSHS-MD30
36	30	66	CSHS-HD36	CSHS-MD36
42	36	72	CSHS-HD42	CSHS-MD42
48	42	78	CSHS-HD48	CSHS-MD48
54	48	84	CSHS-HD54	CSHS-MD54
60	54	90	CSHS-HD60	CSHS-MD60
72	66	102	CSHS-HD72	CSHS-MD72

Notes: Custom shaft and support arm lengths can be provided for special applications.
 Assembly includes Classic Head Shed HD/MD Pre-Cleaning unit, mounting brackets and tensioning device.

ACCESSORIES

Part Number	Description	Classic Guarantee
CSAU	Self-Contained Air Unit	Try us on any belt cleaning application. Let us recommend the right cleaning system for you. We will guarantee it against any use – regardless of the number of mechanical splices on your conveyor belt.
CSWR	Water Regulator System	
CSHS-HD01	Replacement Head Shed HD Blade	
CSHS-MD01	Replacement Head Shed MD Blade	

Classic Head Shed Pre-Cleaners



Heavy Duty
and
Medium
Duty



P.O. Box 38 • 120 Airport Road
 Blairsville, PA 15717
 Phone: 724-459-5261 • Fax: 724-459-5605
 www.classicconveyor.com



Classic Head Shed Pre-Cleaners

Classic Head Shed will meet all your precleaning needs from medium to heavy duty. The HD version is nearly unbreakable, designed for the most abusive longwall and general mine use. The MD is more than rugged enough for all other belt applications.

Our pre-cleaners are designed to mount right at the conveyor head pulley where cleaning is the most efficient. The unit's one-piece shaft is offset to pivot on air bags. This unique cantilever action dissipates all the twist and bend forces caused by mechanical splices. The blades maintain a

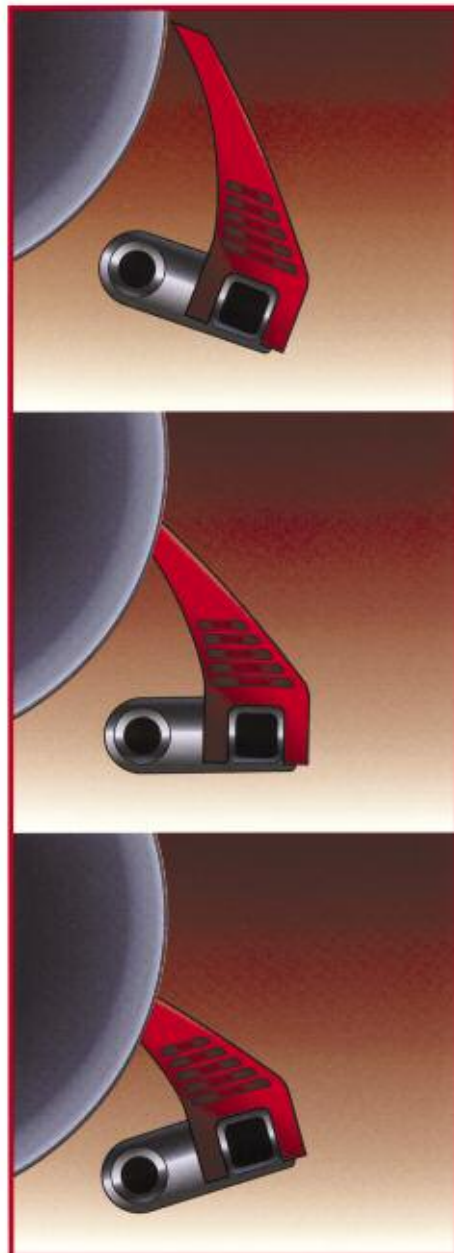
consistent pre-set cleaning angle to shed wet or dry carry back on the belt with no accumulation of material on the underside of the blades. We are so confident of the Classic Head Shed design – we guarantee these units against any application regardless of the number of mechanical splices.

Operation

Classic Head Shed pre-cleaners mount directly at the 3 o'clock position on your conveyor head pulley. The blades maintain an angle to meet the impact from mechanical splices thus transferring the energy from the

shaft via the air bag. The shaft assembly is removable for servicing by loosening 4 bolts (2 on each side). Or you can replace individual blades by removing just 2 bolts per blade.

A dual activator tensioning unit powers the pre-cleaners. It functions on plant air, water, CO₂ or nitrogen. Mechanical tensioning devices are also available (see Classic mechanical tensioners literature).



Blade Wear

The blades are designed for best possible cleaning and to withstand mechanical splice impact. As blade wear occurs, the contact point between the blade tip and the pulley remains the same to eliminate chance of the pre-cleaner flipping under.

STRONG ONE-PIECE SHAFT IS OFFSET TO PIVOT ON AIR BAGS (cantilever action dissipates twist and bend forces of mechanical splices, etc.)

AIR BAG SUPPORT FOR SHOCK ABSORPTION (operates pneumatically or hydraulically)

REMOVE JUST TWO BOLTS ON EACH SIDE TO PULL SHAFT ASSEMBLY

REMOVE JUST TWO BOLTS TO REPLACE A SINGLE BLADE

90 DUROMETER URETHANE BLADES (angled for precise cleaning and to direct any impact to shaft/air bag assembly)

Optional air source housed in protective cabinet. Closed system provides for long life to air tank.



Head Shed pre-cleaners are available in two sizes, HD (Heavy Duty) and MD (Medium Duty), to clean any belt, any material. The MD pre-cleaner is suitable for most standard conveying applications, whereas the HD model is capable of handling your most abusive applications.

You Simply Cannot Break It.

