

Classic Mechanical Tensioners for Head Shed Pre-Cleaners

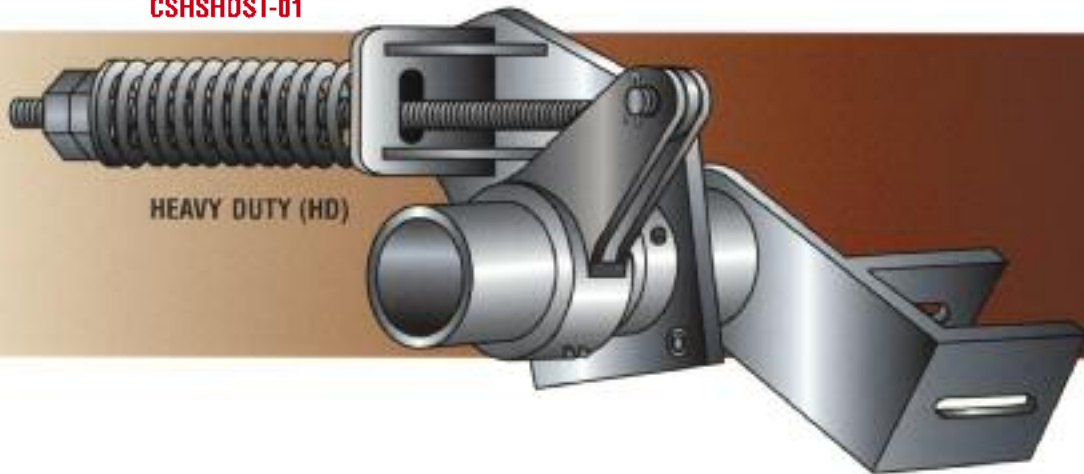
Simplified, mechanical spring tensioning devices.

Designed for use on Classic Head Shed pre-scrapers in areas where an air bag support may be inconvenient.

These practical, rugged tensioners feature heavy duty hardware and the same hole patterns for universal change-out. In addition, the adjusters utilize durable Acme threads for easy and reliable blade adjustment.

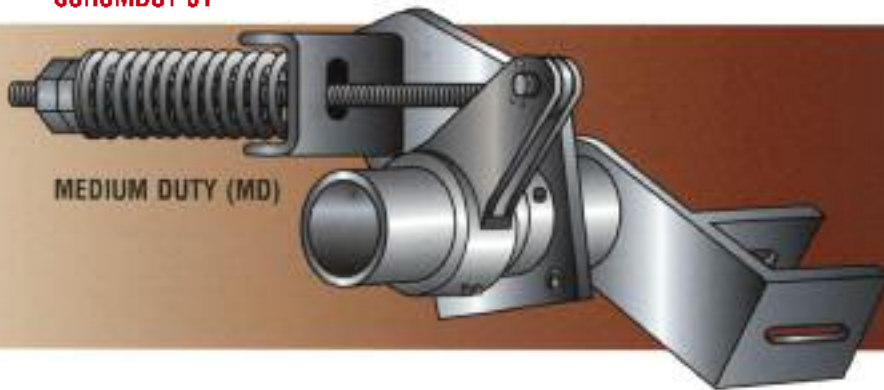
Available in heavy duty (HD) and medium duty (MD) versions for all Head Shed precleaning applications.

CSHSHDST-01



HEAVY DUTY (HD)

CSHSMDS-01



MEDIUM DUTY (MD)

Classic Mechanical Tensioners for Mine Duty/Mine Duty II Scrapers

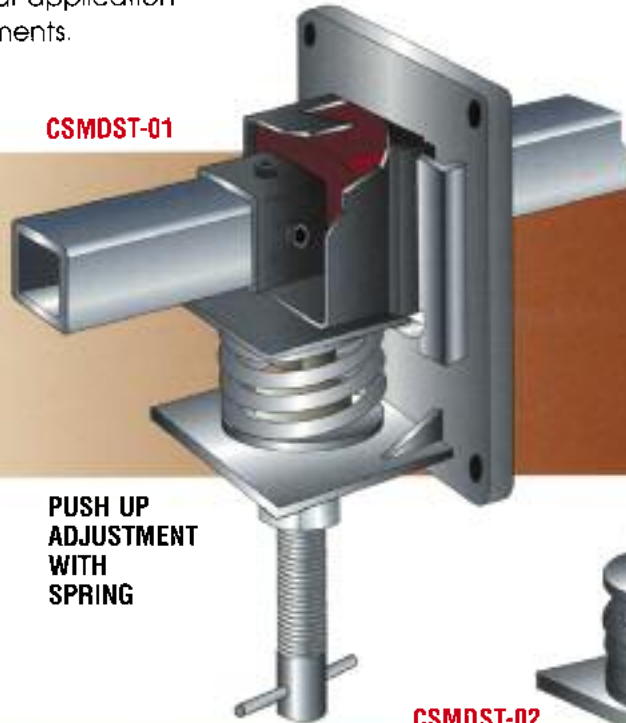
Covering a range of applications.

Classic Mine Duty/Mine Duty II Scrapers are available with a choice of mechanical tensioners to suit your particular application and space requirements.

These top-quality tensioning devices feature heavy duty hardware, identical bolt patterns for universal change-out and durable, self-adjusting Acme threads.

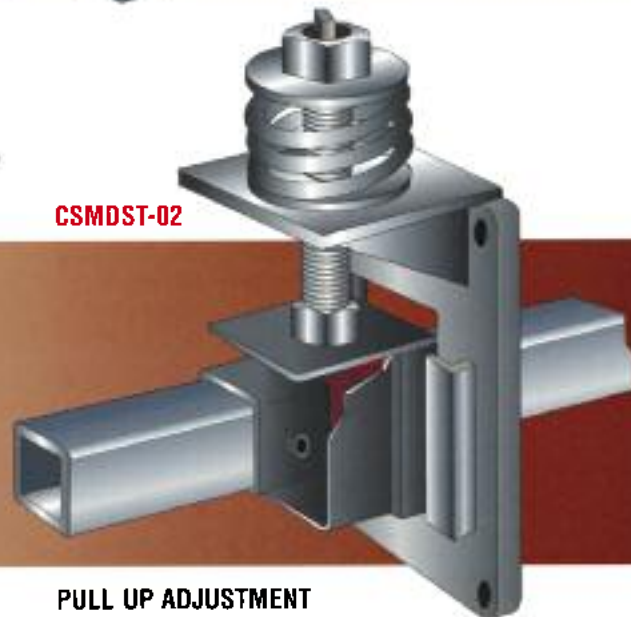
Consult your Classic representative to help choose the best style for your application.

CSMDST-01



**PUSH UP
ADJUSTMENT
WITH
SPRING**

CSMDST-02



**PULL UP ADJUSTMENT
WITH SPRING**



P.O. Box 38 • 120 Airport Road
Blairsville, PA 15717
Phone: 724-459-5261 • Fax: 724-459-5605
www.classicconveyor.com

