

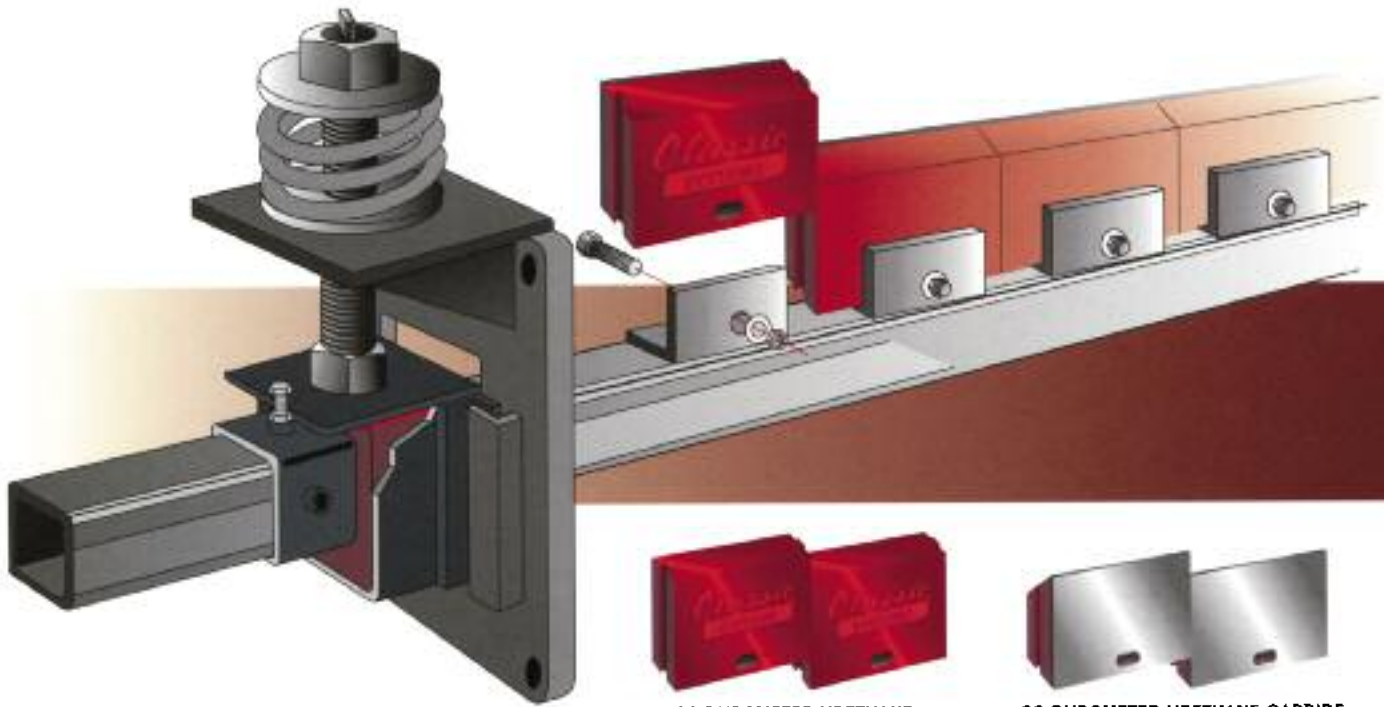
Classic Mine Duty II Scraper

A lower profile, more economical alternative

Mine Duty II is a classic solution to scraper installation in confined areas. Its low profile makes it an ideal choice for tight fits encountered near head assemblies and drip pans.

Although this streamlined model is available at a lower cost, you can be assured that all components, including stainless steel hardware, are of the same quality as the Classic Mine Duty Scraper.

Mine Duty II can also be ordered with Classic air or water tensoning systems.



90 DUROMETER URETHANE INTERLOCKING BLADES



90 DUROMETER URETHANE CARBIDE REINFORCED INTERLOCKING BLADES



80 DUROMETER RUBBER BLADE (one-piece with "V" notches to conform to belt)

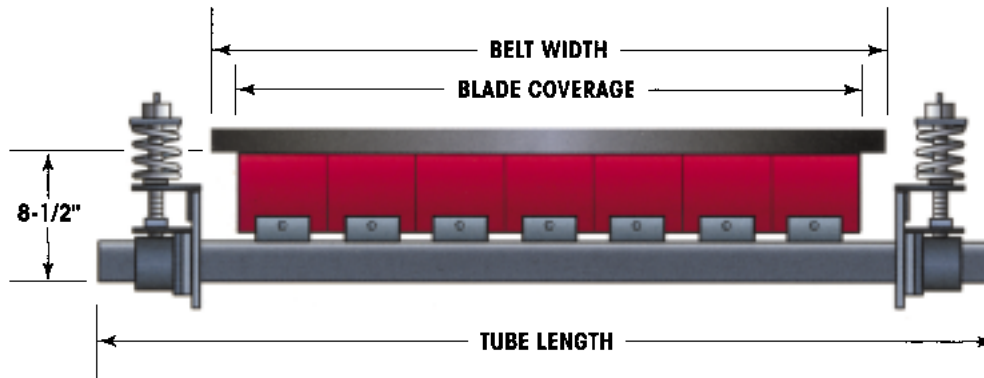
CHOICE OF SCRAPER BLADES

Interlocking blades eliminate material bridging build-up associated with offset blades and material carry back streamlining from butted blades found on conventional shaft-mounted units. You can replace individual scraper blades as necessary and can actually rotate them toward the center of

the belt (prime wear area) to avoid costly maintenance. An important benefit is that as blades wear and adjust, they maintain the same preset cleaning angle. This means that you are assured of the same degree of cleaning efficiency throughout the entire life of the blades.



Classic Mine Duty II Scraper



Belt Width (Inches)	Blade Coverage (Inches)	Tube Length (Inches)	Assembly Part Number
18	12	72	CSMDII-18
24	18	78	CSMDII-24
30	24	84	CSMDII-30
36	30	90	CSMDII-36
42	36	96	CSMDII-42
48	42	102	CSMDII-48
54	48	108	CSMDII-54
60	54	114	CSMDII-60
72	66	126	CSMDII-72

Available in any conveyor belt size upon request.

Notes:

- Please specify if desired blade coverage differs from chart above.
- Custom tube lengths can be supplied upon request.
- Assembly includes Classic Mine Duty II Scraper unit mounting plates and tensioning springs.

ACCESSORIES		Let us convey answers to your questions
Part Number	Description	
CSAU	Self-Contained Air Unit	<p>If you have any technical questions or need information on any conveyor related subject, just give us a call. We've been in the material handling business for many years.</p> <p>If we're unable to give you an immediate answer on the phone – we'll research the problem and get back to you as quickly as possible.</p>
CS015-R	Replacement Air Tank	
CSDA	Direct Air Regulator	
CS073	MSHA Approved Compressor	
CSWR	Water Regulator System	
CS025	Replacement Urethane Blade	
*CS050-xx	Rubber Blade	
CS068	Tungsten Carbide Blade	

*XX – Denotes Belt Width



P.O. Box 38 • 120 Airport Road
 Blairsville, PA 15717
 Phone: 724-459-5261 • Fax: 724-459-5605
 www.classicconveyor.com

