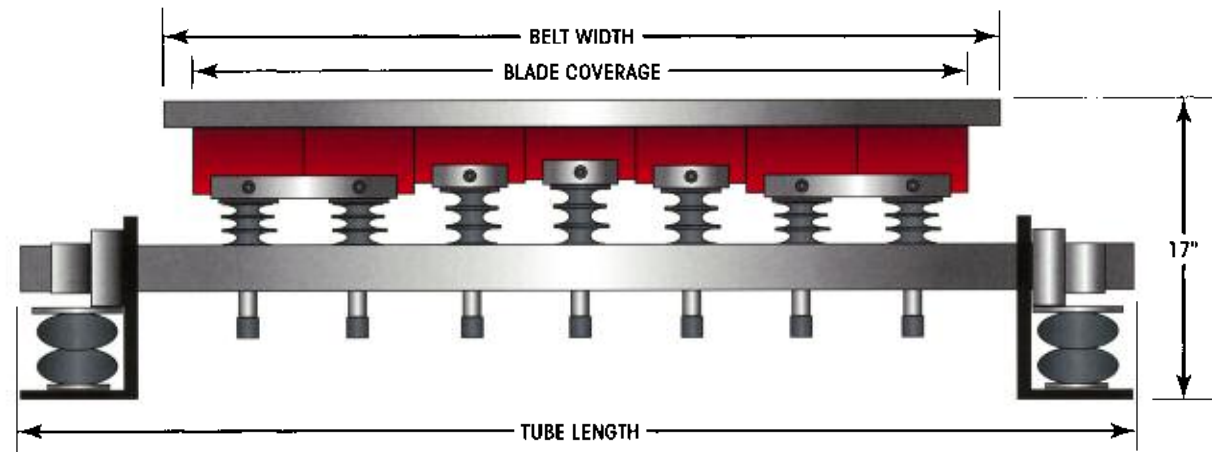


Classic Mine Duty Scraper



Belt Width (Inches)	Blade Coverage (Inches)	Tube Length (Inches)	Assembly Part No.
18	12	48	CSMD18
24	18	54	CSMD24
30	24	60	CSMD30
36	30	66	CSMD36
42	36	72	CSMD42
48	42	78	CSMD48
54	48	84	CSMD54
60	54	90	CSMD60
72	66	102	CSMD72

ACCESSORIES

Part Number	Description
CSAU	Self-Contained Air Unit
CS015-R	Replacement Air Tank
CSDA	Direct Air Regulator
CS073	MSHA Approved Compressor
CSWR	Water Regulator System
CS025	Replacement Urethane Blade
*CS050-xx	Rubber Blade
CS068	Tungsten Carbide Blade

*xx - Denotes Belt Width

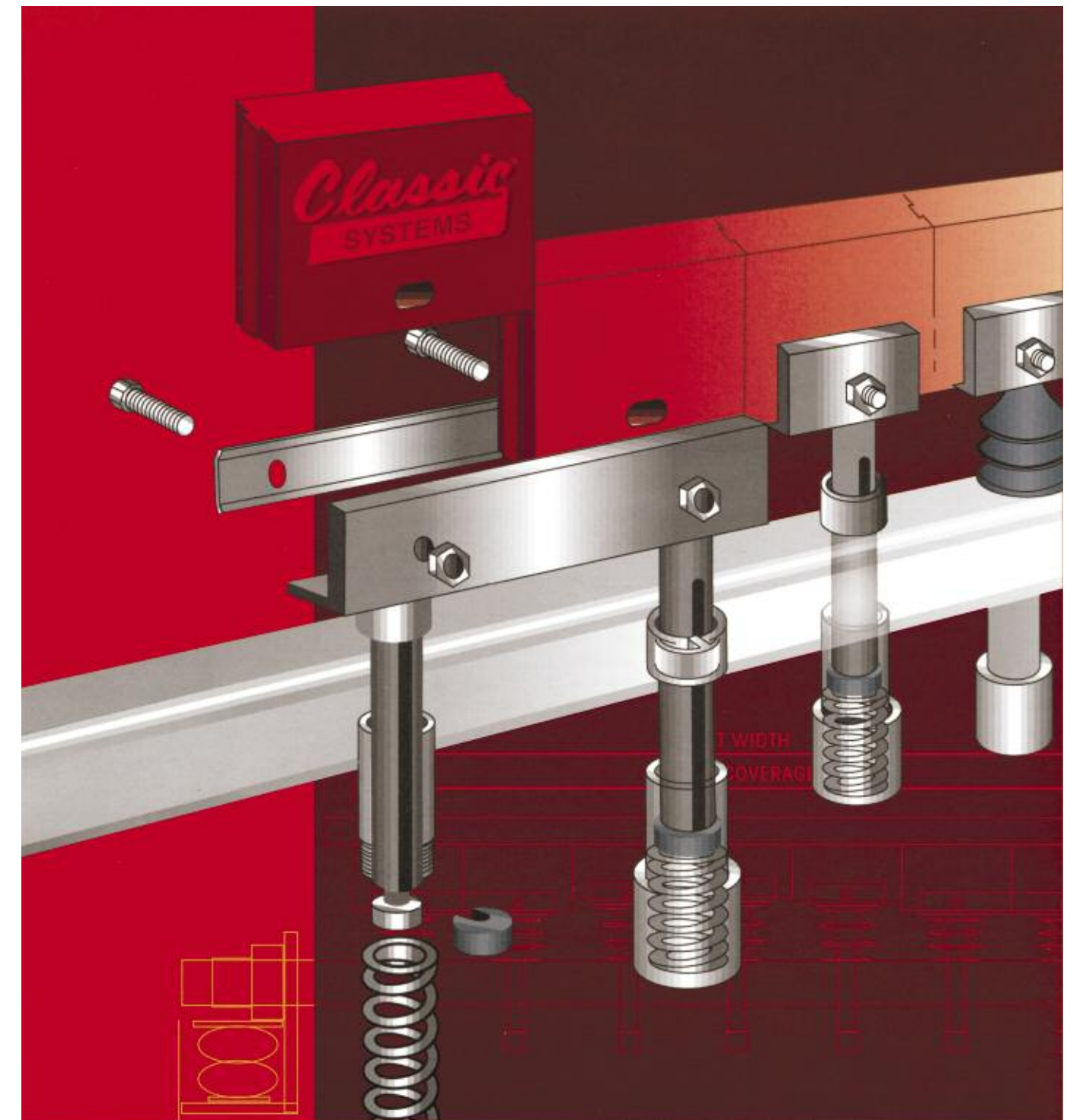
Available in any conveyor belt size upon request.

- Notes:
- Please specify if desired blade coverage differs from chart above.
 - Custom tube lengths can be supplied upon request.
 - Assemble includes Classic Mine Duty Scraper unit, mounting plates and tensioning device.

Let us convey answers to your questions.

If you have any technical questions or need information on any conveyor related subject, just give us a call. We've been in the material handling business for many years. If we're unable to give you an immediate answer on the phone - we'll research the problem and get back to you as quickly as possible.

Classic Mine Duty Scraper



P.O. Box 38 • 120 Airport Road
Blairsville, PA 15717
Phone: 724-459-5261 • Fax: 724-459-5605
www.classicconveyor.com



Classic Mine Duty Scraper

Truly a classic example of engineering simplicity, the Classic Mine Duty is an extra heavy duty scraper designed to handle the absolute toughest conditions with ease.

Individual tensioning scraper blades accommodate typical

uneven conveyor belt material build-up and blade wear. Airbags on each side of the scraper exert a constant range of pressure to raise the unit and collapse the individual tensioning springs. Each blade is then spring-controlled to assure blade-to-belt

contact on the entire belt width and automatic blade adjustment to accommodate adverse belt conditions (including curling, cupping, even handling mechanical splices) and belt wear.

Operation

To expand possible installation locations, the air bags operate on plain water using a very simple setup with a non-relieving water regulator. A water line is usually nearby. If not, the unit will also operate with

compressed air from an in-plant line or we can supply a self-contained air unit for more remote installations.

Your operator regulates the exact range of cleaning pressure to suit the belt and material being handled.

Once the ideal setting is determined, anybody can check the pressure regulator and reset or adjust the cleaning blades. This is accomplished from a safe, remote area. No tools of any kind are needed.



90 DUROMETER URETHANE INTERLOCKING BLADES

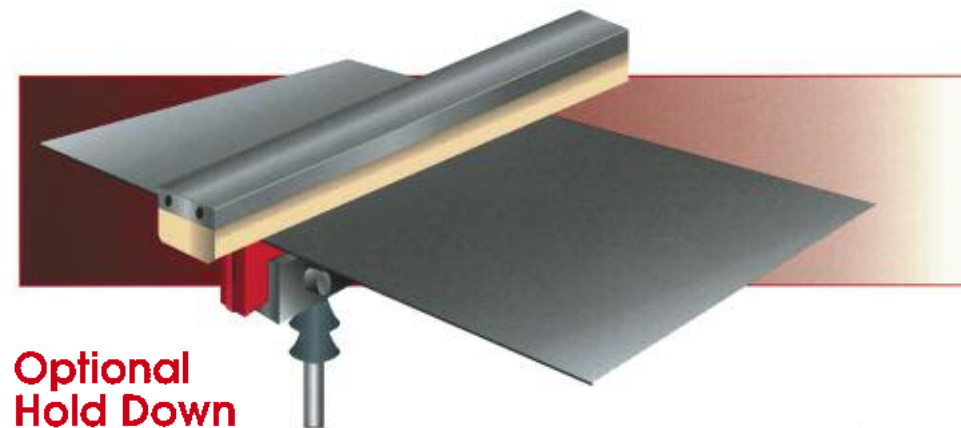
90 DUROMETER URETHANE CARBIDE REINFORCED INTERLOCKING BLADES

80 DUROMETER RUBBER BLADE (one-piece with "V" notches to conform to belt)

Choice of Scraper Blades

Interlocking blades eliminate material bridging build-up associated with offset blades and material carry back streamlining from butted blades found on conventional shaft-mounted units. You can replace individual scraper blades as necessary and can actually rotate them toward the center of the belt (prime wear area) to avoid costly

maintenance. An important benefit is that as blades wear and adjust, they maintain the same preset cleaning angle. This means that you are assured of the same degree of cleaning efficiency throughout the entire life of the blades.



Optional Hold Down

Maximize cleaning efficiency with the optional hold-down bracket. It is faced with a tough friction-resistant high molecular plastic to gently prevent the belt from lifting for optimum presentation to the scraper.

60 DUROMETER URETHANE HUBS ALLOW FOR TWIST TO LESSEN IMPACT FROM MECHANICAL SPLICES, ETC.

AIR BAG SUPPORT FOR SHOCK AND ABSORPTION UP AND DOWN (operates on compressed air or water)

90 DUROMETER URETHANE BLADES INTERLOCK TO PREVENT GAPPING BETWEEN BLADES (also available with carbide/steel inserts or one-piece 80 Durometer rubber)

KEY WAY AND KEY PREVENTS SHAFT FROM TURNING

INDIVIDUAL SPRING TENSION UP AND DOWN ON BLADES

All blade holder assembly parts are constructed of stainless steel to prevent corrosion.

