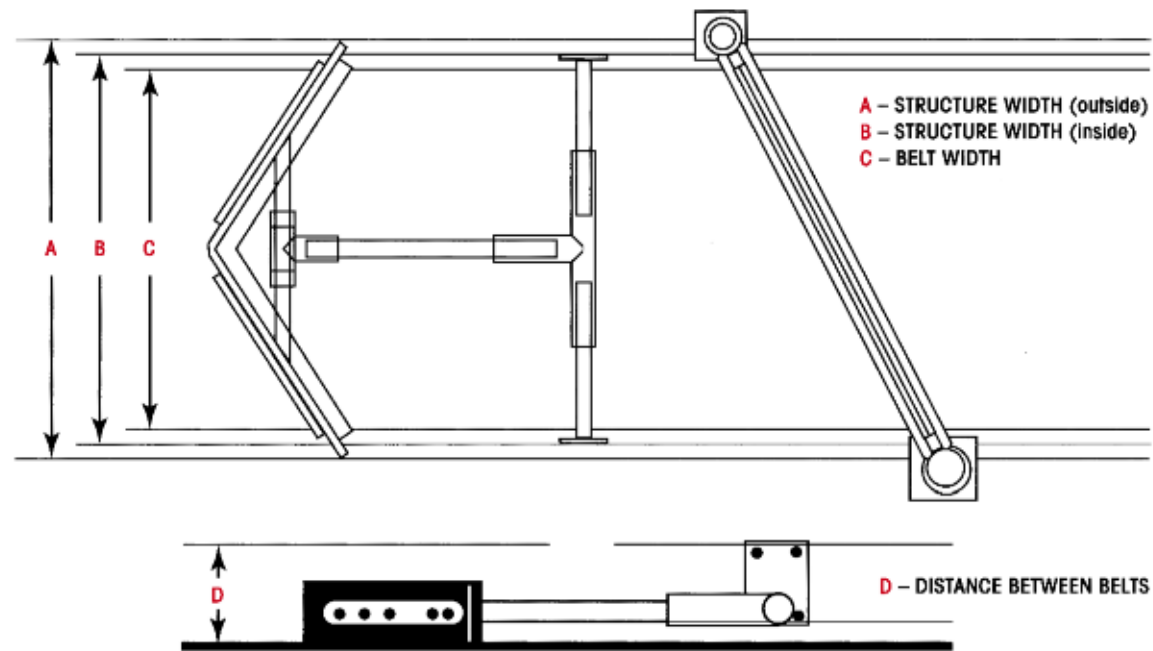


Classic Plows



Plow Size	Blade Coverage	Heavy Duty V-Plow Assembly Part No.	Medium Duty V-Plow Assembly Part No.	Angle Plow Assembly Part No.
30	FULL	V-30	VMD-30	A-30
36	FULL	V-36	VMD-36	A-36
42	FULL	V-42	VMD-42	A-42
48	FULL	V-48	VMD-48	A-48
54	FULL	V-54	VMD-54	A-54
60	FULL	V-60	VMD-60	A-60
72	FULL	V-72	VMD-72	A-72

ACCESSORIES

Part Number	Description
V-ST	V-Plow Spring Tensioner
A-ST	Angle Plow Spring Tensioner
*V-xx-01	V-Plow Replacement Blades
*A-xx-01	Angle Plow Replacement Blades

*xx— Denotes Belt Width

Custom mounting brackets and assemblies can be provided for special applications.

Let us convey answers to your questions.

If you have any technical questions or need information on any conveyor related subject, just give us a call. We've been in the material handling business for many years.

If we're unable to give you an immediate answer on the phone - we'll research the problem and get back to you as quickly as possible.

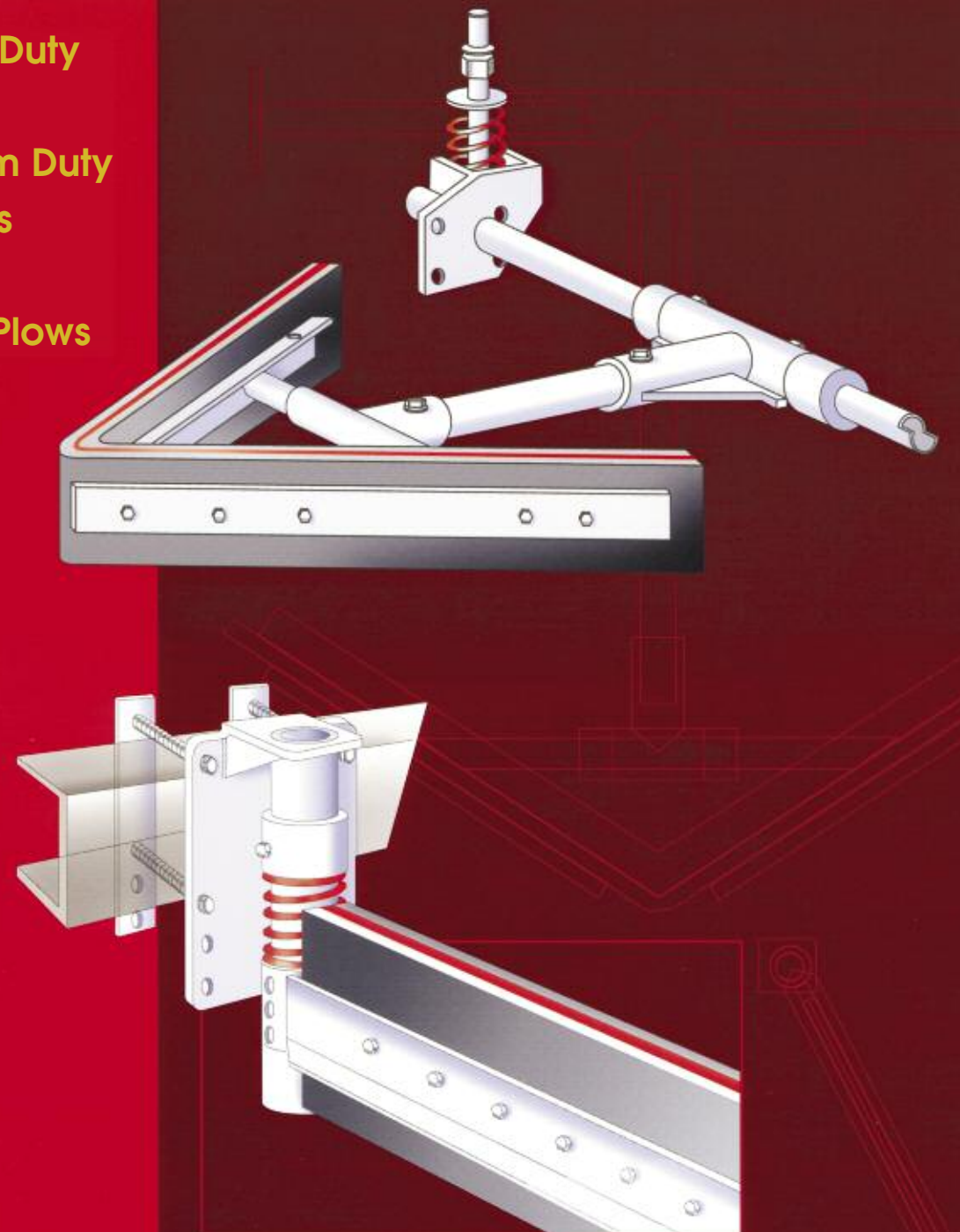


P.O. Box 38 • 120 Airport Road
 Blairsville, PA 15717
 Phone: 724-459-5261 • Fax: 724-459-5605
 www.classicconveyor.com



Classic Plows

Heavy Duty and Medium Duty V-Plows and Angle Plows



Classic Plows – Angle and V Models

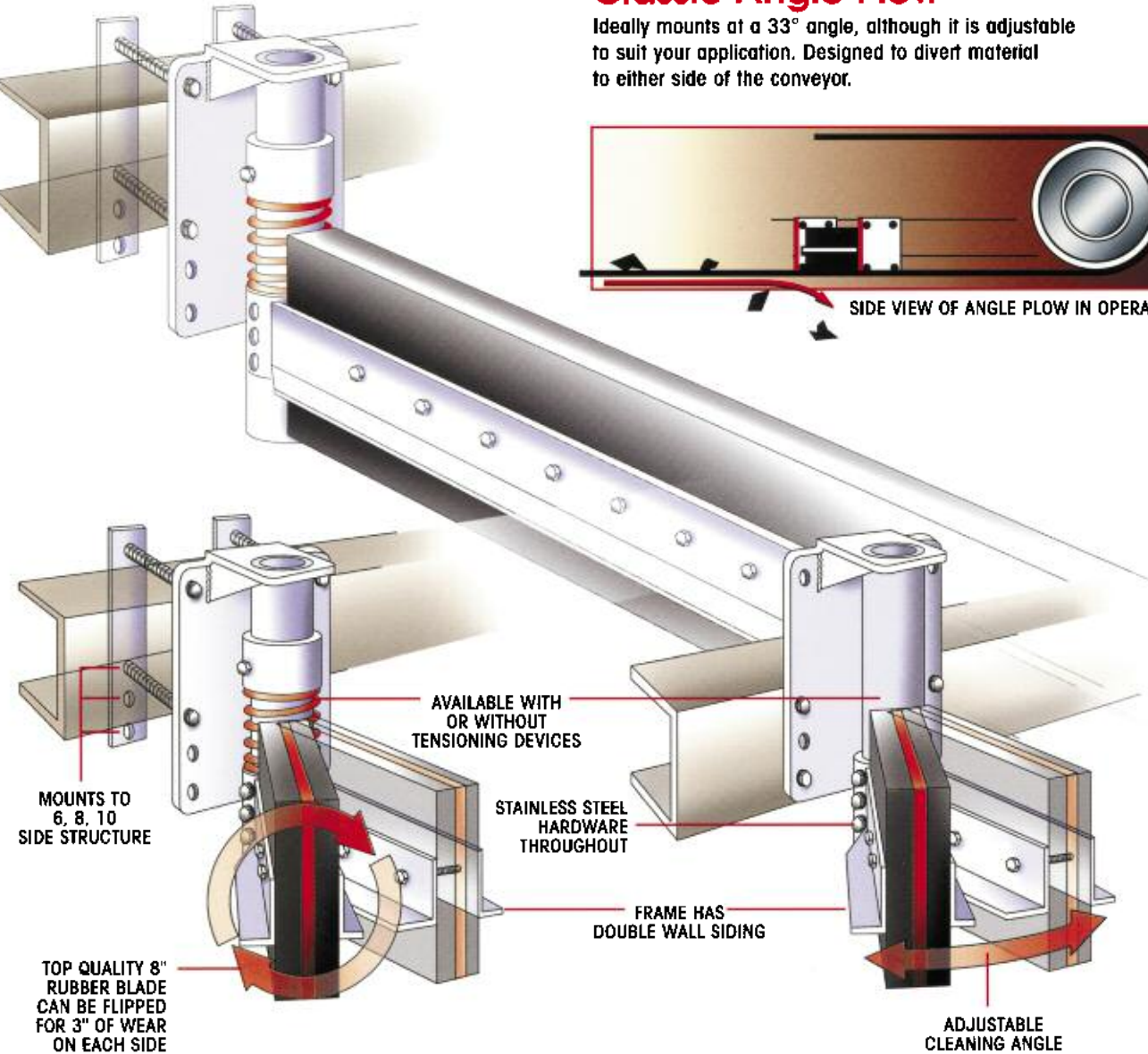
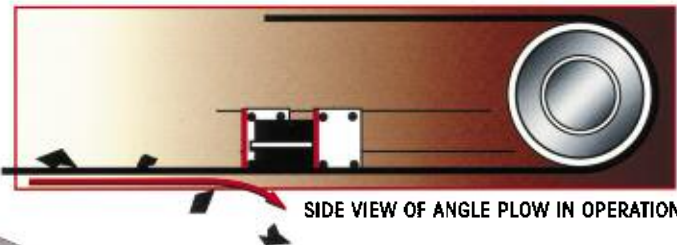
Classic enhances conveyor belt protection by offering the finest quality plows. By mounting a plow on the return side before the tail pulley of your conveyor system – you are able to divert any material spillage. This protects both the belting and the tail pulley from costly damage.

As with all Classic products, we offer you practical options. You can choose between an angle or V plow model to best suit your application. Both models are available with or without tensioning devices. Both come in a heavy duty version constructed of heavy wall mechanical tubing or a

medium version constructed of seamless pipe. Although the medium duty plows are compact, light in weight and offered at a lower cost, you can be assured that all components including stainless steel hardware are of the same quality.

Classic Angle Plow

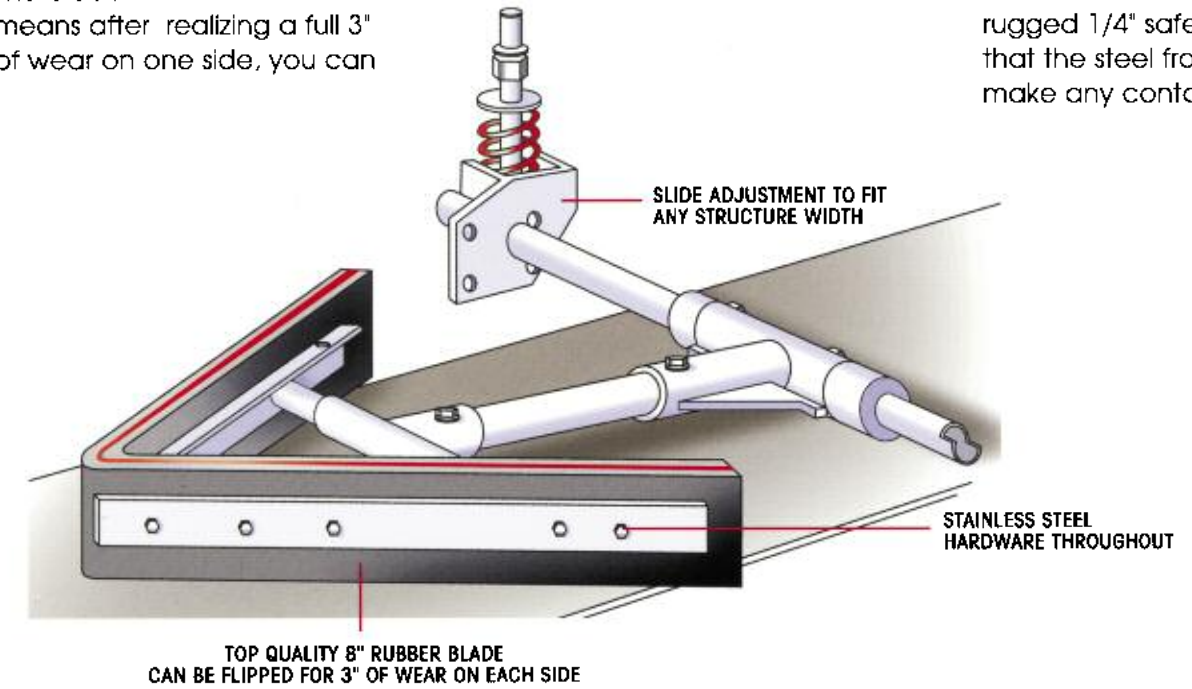
Ideally mounts at a 33° angle, although it is adjustable to suit your application. Designed to divert material to either side of the conveyor.



Other Classic features include blades made of the highest quality rubber to assure long life. The blades are also 2-sided which means after realizing a full 3" of wear on one side, you can

simply flip over the blade for an additional 3" of wear on the other side. To further protect your belt,

Classic plows are designed to float (up and down movement as well as side-to-side) with the return side of the belt. In addition, rugged 1/4" safety chains ensure that the steel from the plow can't make any contact with the belt.



Classic V-Plow

"V" shaped blade is designed to divert material off both sides of the conveyor.

