

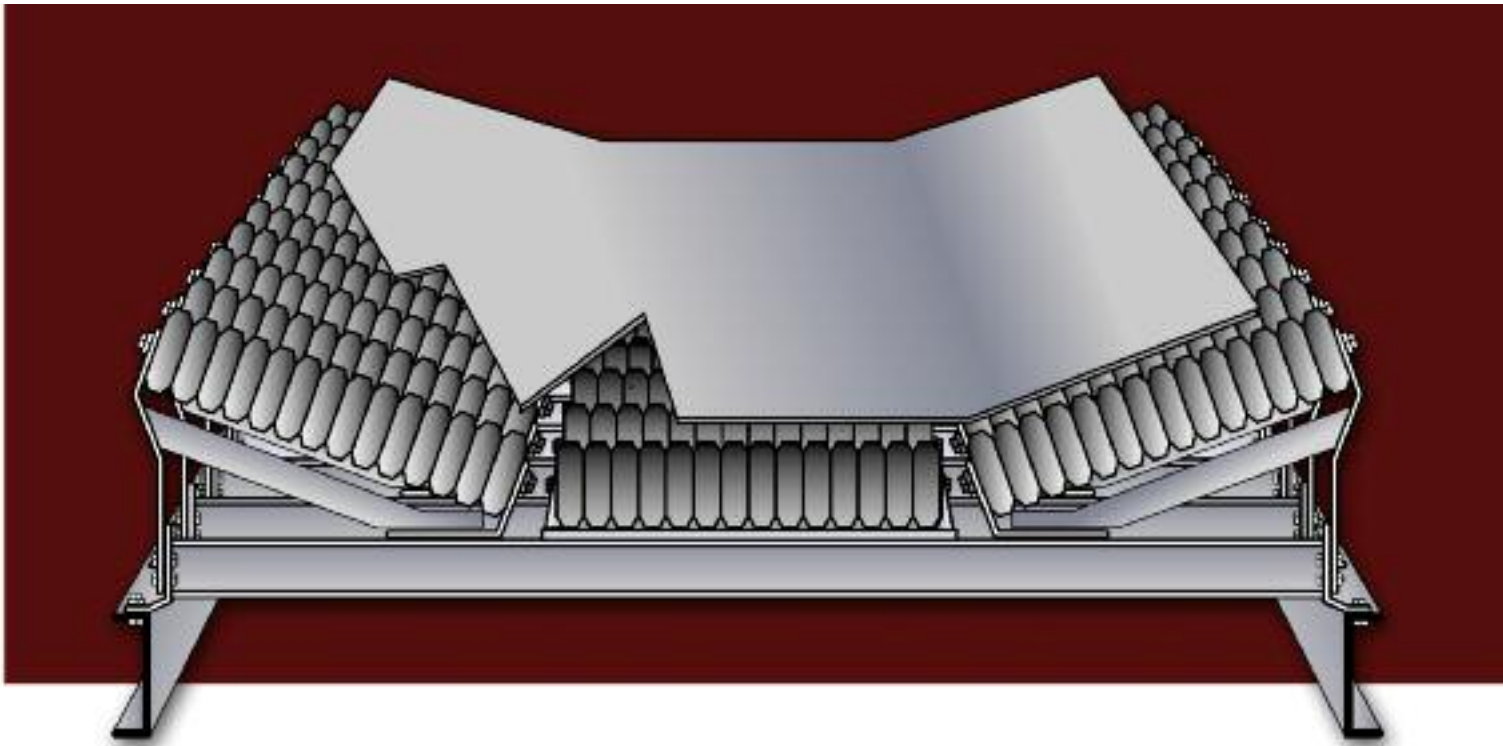
Classic Roller Beds

Protect the loading zone by distributing the impact.

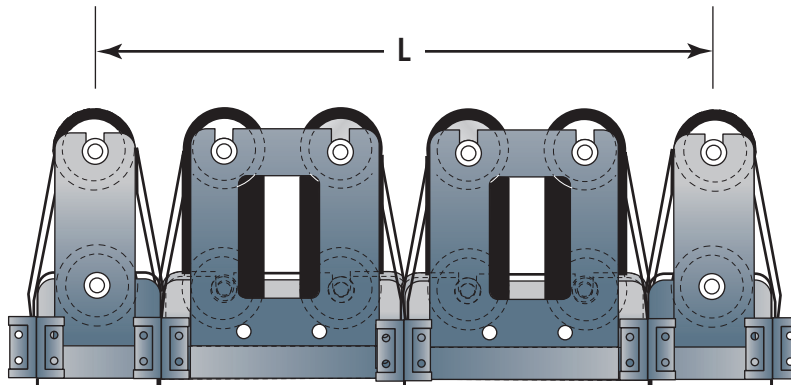
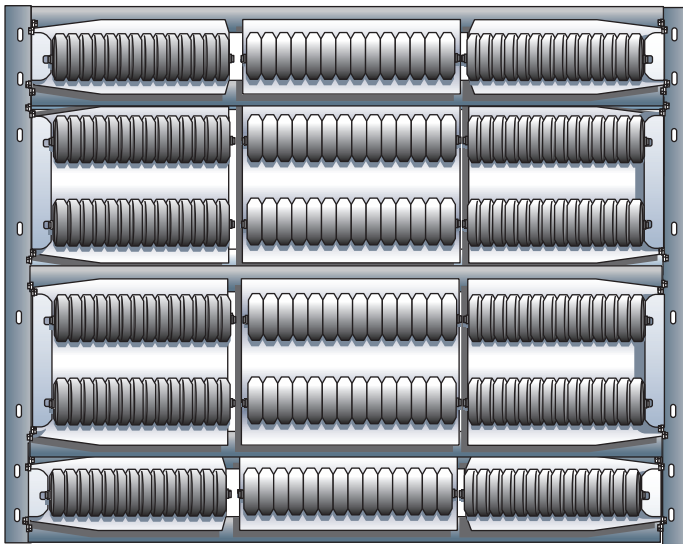
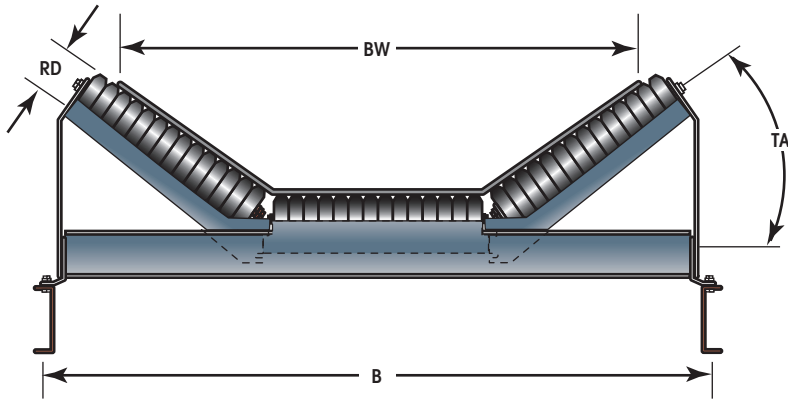
Classic roller beds are assembled from the extremely rugged Classic impact idlers utilizing our unsurpassed, reduced friction belt idlers.

Our roller beds dramatically extend service life at conveyor loading zones by distributing the material impact over more idlers. They also provide a superior seal under the skirtboard because of the added support to the conveyor belt.

The Classic design is both robust and user friendly. Frames are of double channel construction with 3/8" thick plate. Sides unbolt for easy access to replace idler cans under the load zone. These units are intended for use in severe impact and heavy conveying applications.



Classic Roller Beds



Ordering Information

360 - BW - ID - TA - B - L

BW Belt Width

24", 30", 36", 42", 48", 54", 60" & 72"

ID Idler Diameter

6" or 7"

TA Trough Angle

20°, 35° or 45°

B Base Bolt Centers

S - Standard (BW+9)

W - Wide (BW+15)

L Bed Length

Length in feet

Note:

For Special Orders contact your Classic Sales Representative

Ordering Example:

360 - 60 - 7 - 35 - S - 8

60" Belt Width

7" Idler Diameter

35° Trough Angle

Standard Base (Bolt Centers @ 69")

8' Bed Length



P.O. Box 38 • 120 Airport Road
Blairsville, PA 15717
Phone: 724-459-5261 • Fax: 724-459-5605
www.classicconveyor.com

