

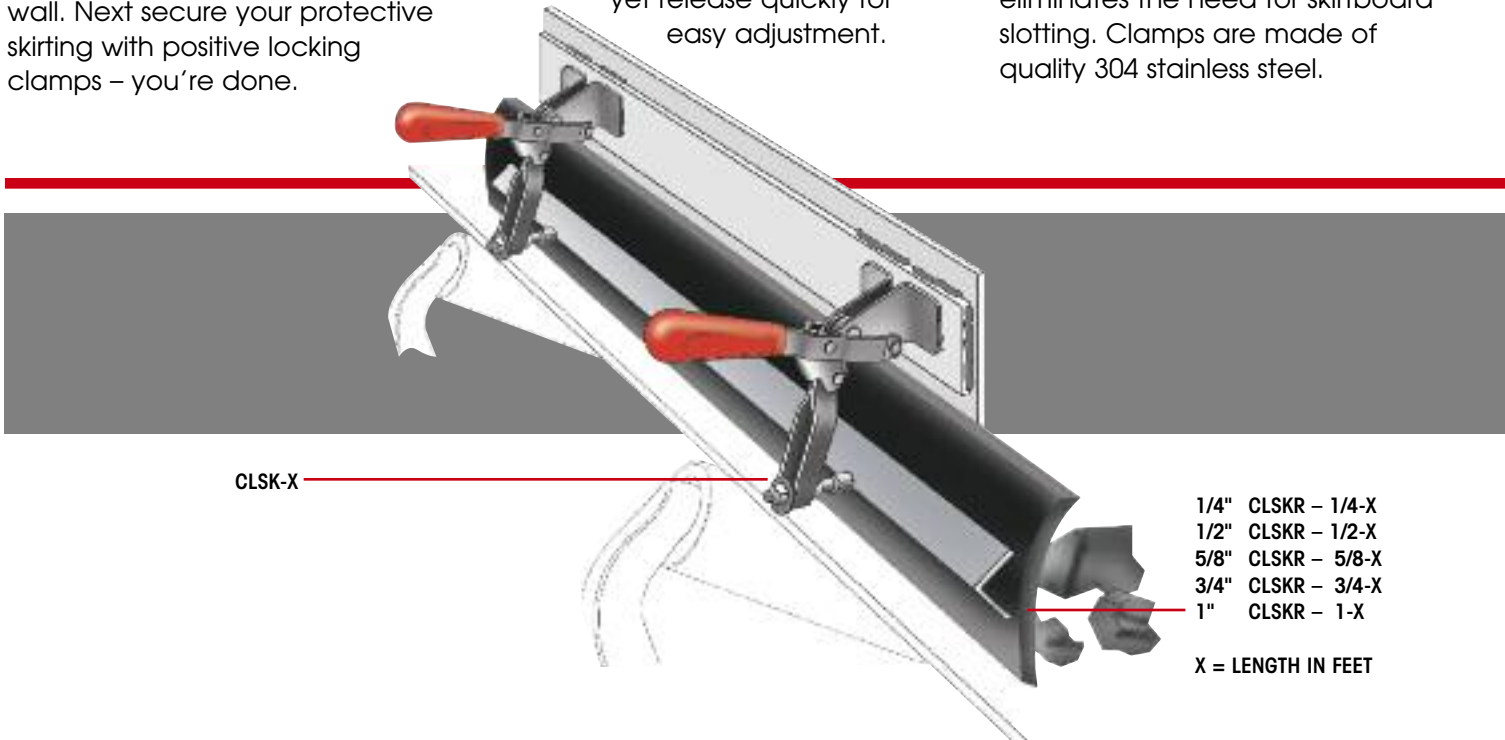
Classic Skirtboard/Seal Systems

Seals effectively, installs easily.

First stitch weld the desired length of skirtboard to the chute wall. Next secure your protective skirting with positive locking clamps – you're done.

The clamps hold the skirting firmly in place with 750 lbs. per foot of holding capacity, yet release quickly for easy adjustment.

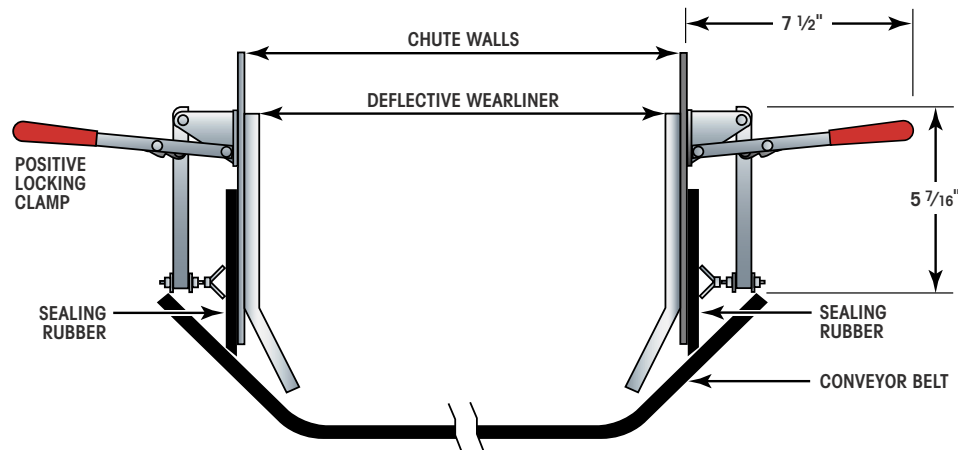
This reliable, inexpensive system handles 1/4" to 1" thickness of skirting material. It also eliminates the need for skirtboard slotting. Clamps are made of quality 304 stainless steel.



CLSK-X

- 1/4" CLSKR – 1/4-X
- 1/2" CLSKR – 1/2-X
- 5/8" CLSKR – 5/8-X
- 3/4" CLSKR – 3/4-X
- 1" CLSKR – 1-X

X = LENGTH IN FEET



P.O. Box 38 • 120 Airport Road
Blairsville, PA 15717
Phone: 724-459-5261 • Fax: 724-459-5605
www.classicconveyor.com

